

CW Series

Curvewash

The Curvewash CW is created from a highly versatile non porous Solid Surface material. It has a sloping gravitational centre for an elegant and user-friendly handwashing experience. Available in white.



Codes	Length	Users	Weight
C60W	600mm (23 $\frac{5}{8}$ ")	1	24Kg (52lb 15oz)
C12W	1200mm (47 $\frac{1}{4}$ ")	2	40Kg (88lb 3oz)
C18W	1800mm (70 $\frac{7}{8}$ ")	3	56Kg (123lb 7oz)
C24W	2400mm (94 $\frac{1}{4}$ ")	4	72Kg (158lb 12oz)
C30W	3000mm (118 $\frac{1}{8}$ ")	5	88Kg (194lb)

Technical Data

Warranty	5 years from date of purchase
Solid surface	Corian

Colours

Available in white only

Installation Requirements

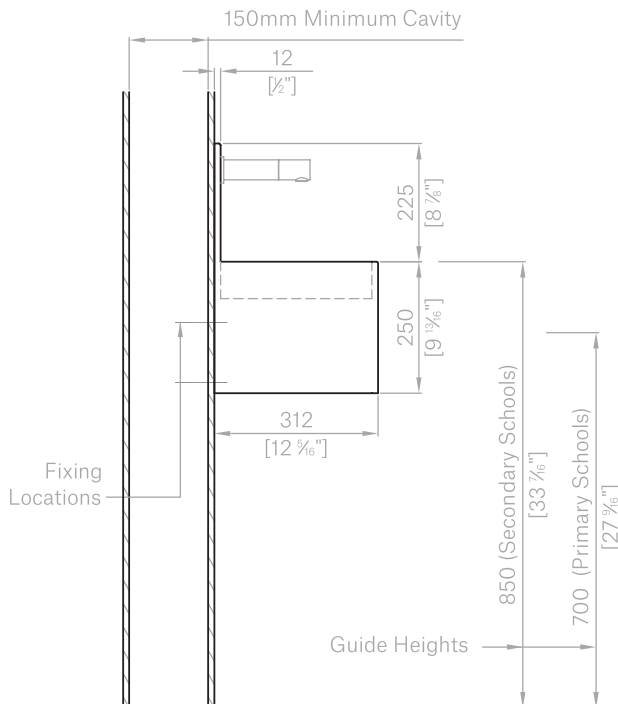
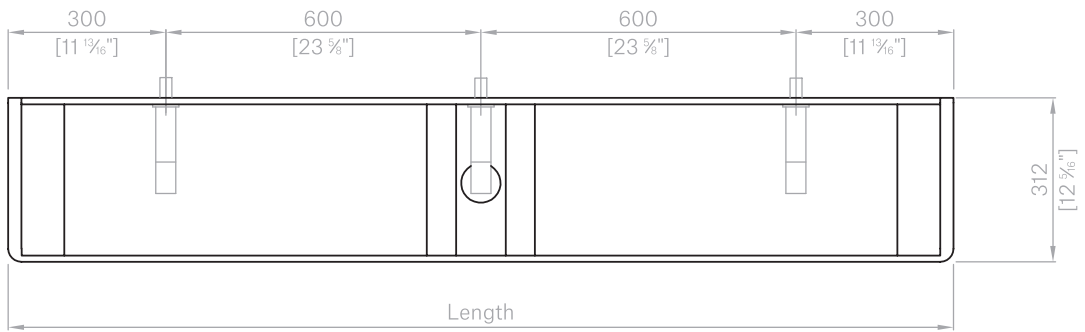
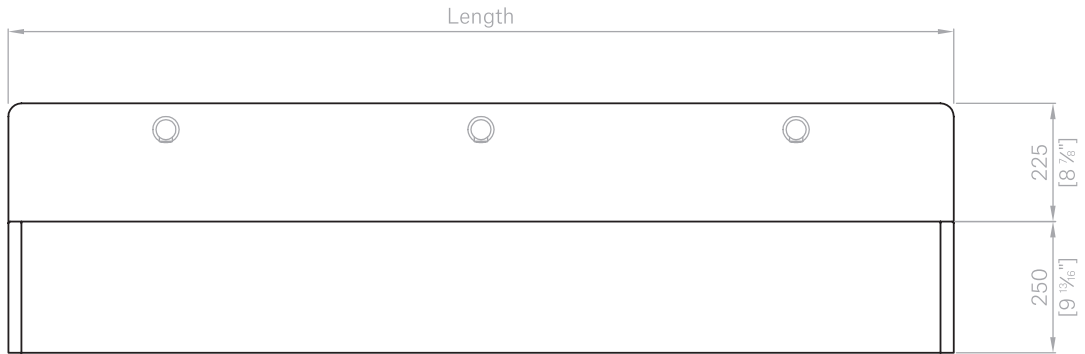
Support needed	Modular bracket system included. Wall must be of sufficient construction to bear the weight of the trough. ONVO are not liable for advising fixing methods.
Fixing height	See drawing
Tension in top fixing location (Unfactored)	3.6kN
Shear in bottom fixing location (Unfactored)	1.82kN
Plumbing	Connection to 1 $\frac{1}{2}$ " waste outlet required. Installer to provide water supply for taps. See separate datasheet for ONVO sensor taps.

Related Products

Sensor tap	180
Soap dispenser	480

Related Documents

Installation manual	email: sales@onvouk.com
Operation and maintenance manual	email: sales@onvouk.com
Warranty document	email: sales@onvouk.com
Installation video	Coming soon



Length	Number Of Users	Number Of Brackets
600 mm [23 5/8\"/>		