

55

Wash Fountain

The 55 is a 6 user push operated washfountain, and is constructed from stainless steel. It has 3 built in soap dispensers, and is fully ADA compliant.



Codes

55

Technical Data

Finishes	CS (Satin)
Weight	72.7Kg (160lb 4.4oz)
Diameter	930mm (36 ³⁹ / ₆₄ ")
Warranty	12 Months
Finish	Satin brushed stainless steel, 2.5mm (³ / ₃₂ ") thick (push-buttons and water nozzles are type 303 stainless steel)
Water pressure	25-80 psi (1.7-5.5 bar)
Flow rate	2.2L (0.58 GAL (US)) per minute, per station
Water feed	Should be a minimum of 22mm (⁵⁵ / ₆₄ ") diameter
Disabled access	Suitable for disabled use and is compliant with ADA regulations

Spare Parts

PVK-1	Pneumatic valve
60CS	6-user washfountain soap dispenser kit - complete
600954	Solenoid valve for 8 user sensor operated washfountain
4502SSN	Fixing screws - raised head 19mm ($\frac{3}{4}$ ") x 6mm ($\frac{1}{4}$ ")
4503SSN	Fixing screws - counter sunk 19mm ($\frac{3}{4}$ ") x 6mm ($\frac{1}{4}$ ")
60/P	Soap dispenser pump
60/K	Soap dispenser filler cap key
60/KIT	6-user soap dispenser piping kit
600307	Pneumatic button for push operated washfountain
	Brass manifold - pneumatic operated

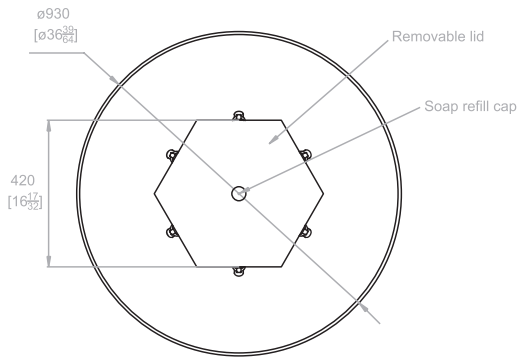
Compliance

WRAS	Approved
------	----------

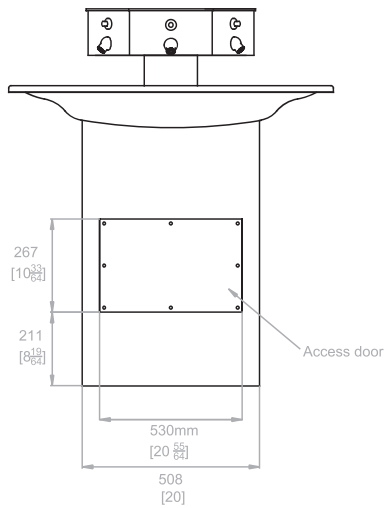
Related Documents

Installation manual	email: sales@onvouk.com
Operation and maintenance manual	email: sales@onvouk.com
Warranty document	email: sales@onvouk.com

Top



Front



Side

