

56

Wash Fountain

The 56 is a 6 user sensor operated washfountain, and is constructed from stainless steel. It has 4 built in soap dispensers, and is fully ADA compliant.



Codes

56

Technical Data

Finishes	CS (Satin)
Weight	72.27Kg (159lb 5.2oz)
Diameter	930mm (36 ³⁹ / ₆₄ ")
Warranty	12 Months
Finish	Satin brushed stainless steel, 2.5mm (³ / ₃₂ ") thick (push-buttons and water nozzles are type 303 stainless steel)
Water pressure	25-80 psi (1.7-5.5 bar)
Flow rate	2.2L (0.58 GAL (US)) per minute, per station
Water feed	Should be a minimum of 22mm (⁵⁵ / ₆₄ ") diameter
Disabled access	Suitable for disabled use and is compliant with ADA regulations

Installation Requirements

Fixing	To be fixed to level floor. Fixings not included
Power supply	240V 3 amp fused spur to be connected to IP67 rated 24V transformer; low voltage push-fit connectors to solenoid valves
Water supply	Cold and hot water and waste outlet to be provided in floor; access via removable front panel
Waste outlet	2 x 40mm plain spigots to be connected to single outlet

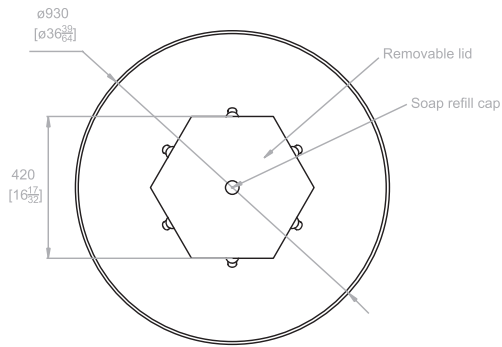
Compliance

WRAS	Approved
------	----------

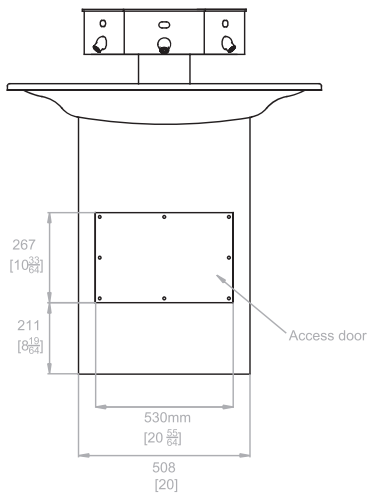
Related Documents

Installation manual	email: sales@onvouk.com
Operation and maintenance manual	email: sales@onvouk.com
Warranty document	email: sales@onvouk.com

Top



Front



Side

