

97

Wash Fountain

The 97 is an 8 user push operated washfountain, and is constructed from stainless steel. It has 4 built in soap dispensers, and is fully ADA compliant.



Codes

97

Technical Data

| | |
|-----------------|--|
| Finishes | CS (Satin) |
| Weight | 113.6Kg (250lb 7.1oz) |
| Diameter | 1355mm (53 $\frac{11}{32}$ ") |
| Warranty | 12 Months |
| Finish | Satin brushed stainless steel, 2.5mm ($\frac{3}{32}$ ") thick (push-buttons and water nozzles are type 303 stainless steel) |
| Water pressure | 25-80 psi (1.7-5.5 bar) |
| Flow rate | 2.2L (0.58 GAL (US)) per minute, per station |
| Water feed | Should be a minimum of 22mm ($\frac{55}{64}$ ") diameter |
| Disabled access | Suitable for disabled use and is compliant with ADA regulations |

Spare Parts

| | |
|---------|--|
| PVK-1 | Pneumatic valve |
| 80CS | 8-user washfountain soap dispenser kit - complete |
| 600954 | Solenoid valve for 8 user sensor operated washfountain |
| 4502SSN | Fixing screws - raised head 19mm ($\frac{3}{4}$ ") x 6mm ($\frac{1}{4}$ ") |
| 4503SSN | Fixing screws - counter sunk 19mm ($\frac{3}{4}$ ") x 6mm ($\frac{1}{4}$ ") |
| 60/P | Soap dispenser pump |
| 60/K | Soap dispenser filler cap key |
| 80/KIT | 8-user soap dispenser piping kit |
| 600307 | Pneumatic button for push operated washfountain Brass manifold - pneumatic operated |

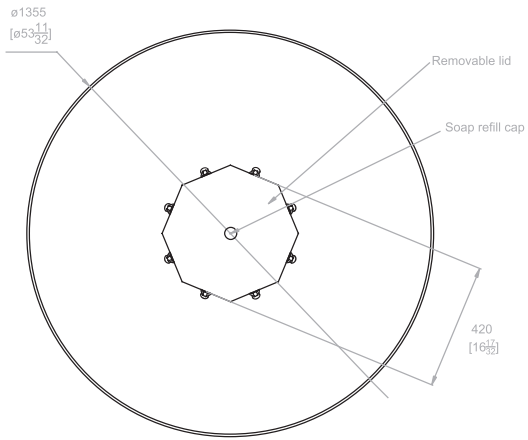
Compliance

| | |
|------|----------|
| WRAS | Approved |
|------|----------|

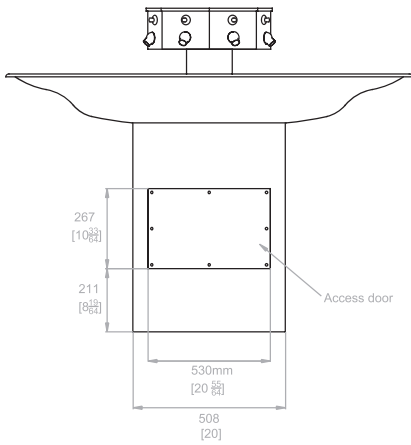
Related Documents

| | |
|----------------------------------|---|
| Installation manual | email: sales@onvouk.com |
| Operation and maintenance manual | email: sales@onvouk.com |
| Warranty document | email: sales@onvouk.com |

Top



Front



Side

