

98

Wash Fountain

The 98 is a 8 user sensor operated washfountain, and is constructed from stainless steel. It has 4 built in soap dispensers, and is fully ADA compliant.



Codes

98

Technical Data

Finishes	CS (Satin)
Weight	113.6Kg (250lb 7.1oz)
Diameter	1355mm (53 $\frac{11}{32}$ ")
Warranty	12 Months
Finish	Satin brushed stainless steel, 2.5mm ($\frac{3}{32}$ ") thick (push-buttons and water nozzles are type 303 stainless steel)
Water pressure	25-80 psi (1.7-5.5 bar)
Flow rate	2.2L (0.58 GAL (US)) per minute, per station
Water feed	Should be a minimum of 22mm ($\frac{55}{64}$ ") diameter
Disabled access	Suitable for disabled use and is compliant with ADA regulations

Spare Parts

80CS	8-user washfountain soap dispenser kit - complete
600954	Solenoid valve for 8 user sensor operated washfountain
4502SSN	Fixing screws - raised head 19mm ($\frac{3}{4}$ ") x 6mm ($\frac{1}{4}$ ")
4503SSN	Fixing screws - counter sunk 19mm ($\frac{3}{4}$ ") x 6mm ($\frac{1}{4}$ ")
60/P	Soap dispenser pump
60/K	Soap dispenser filler cap key
80/KIT	8-user soap dispenser piping kit
600954	Solenoid valve for 8 user sensor operated washfountain
55/TRANS	Sensor operated wash fountain transformer - 240V/24V
	Brass manifold - sensor operated

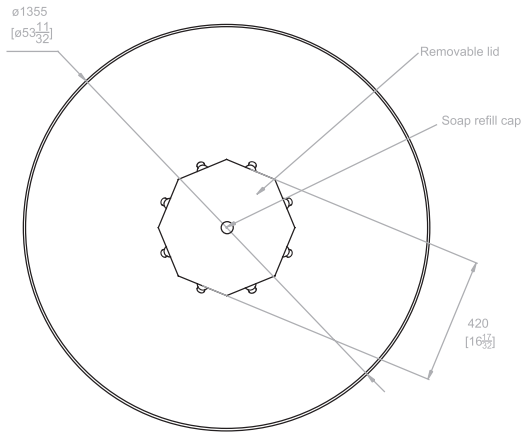
Compliance

WRAS	Approved
------	----------

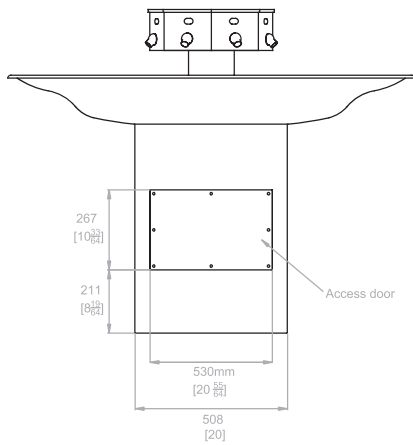
Related Documents

Installation manual	email: sales@onvouk.com
Operation and maintenance manual	email: sales@onvouk.com
Warranty document	email: sales@onvouk.com

Top



Front



Side

