

220

Push Button Self Closing Tap

The 220 Series is an elegant deck mounted push operated tap with robust body construction for all types of projects.



Codes	Power supply	Temperature Control
220	Push operated	Pre-mixed

Technical Data

Finishes	C (Chrome)
Min/Max operations pressure	0.5 - 8 bar dynamic pressure
Flow rate	3 litres per minute
Aerator	Cascade
Warranty	3 years from date of purchase.
Run time	7-15 seconds
Anti rotation push button	

Installation Requirements

Countertop cutout	21mm minimum
Maximum countertop thickness	25mm
Water supply	ONVO taps require at least 0.5bar dynamic water pressure to operate effectively; if 1 bar or more can be achieved the operation of the tap will be better. Applications with gravity-fed plumbing systems may require a booster pump to achieve the optimum operating pressure. The taps can be pressure tested to 10bar for commissioning purposes. All pipework must be thoroughly cleaned before connecting the tap to clear the pipes of any debris.
Access requirements	Fixings and isolation valves must be accessible at for initial installation & commissioning and for ongoing and routine maintenance.

Compliance

WRAS
BREEAM - 1 credit
LEED - 4 points
CE

Related Products

Soap dispenser [766](#)

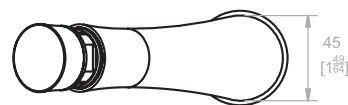
Related Documents

Installation manual	email: sales@onvouk.com
Operation and maintenance manual	email: sales@onvouk.com
Warranty document	email: sales@onvouk.com

220 Push Button Self Closing Tap

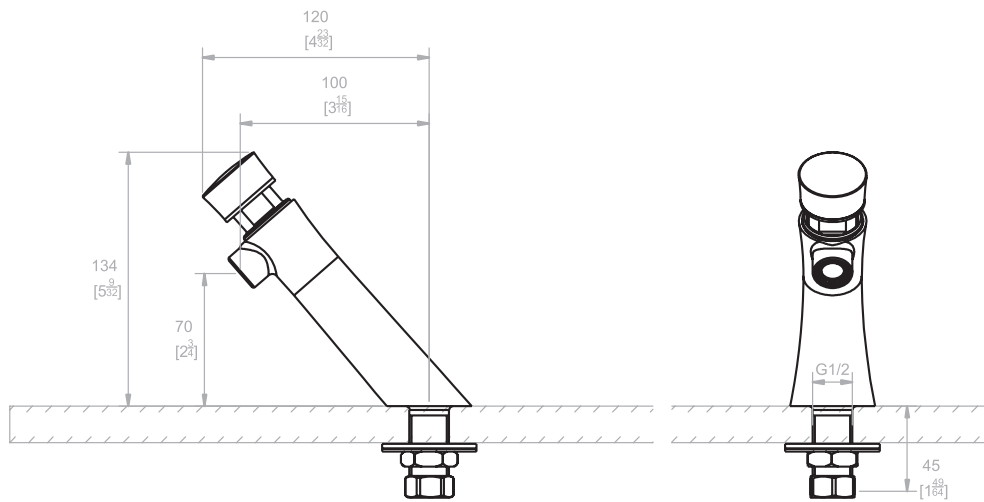
Technical Drawing

ONVO 220 Push Tap - Plan View



ONVO 220 Push Tap - Side View

ONVO 220 Push Tap - Front View



Cutout

