

**260**

## Push Button Self Closing Tap

The 260 Series wall mounted push tap is extremely functional and robust and suits any washroom due to the minimalist design and choice of spout size.



Codes	Power supply	Length
260	Push operated	132mm

### Technical Data

Finishes	C (Chrome)
Min/Max operations pressure	0.5 - 8 bar dynamic pressure (7.2 - 116 psi)
Flow rate	3 litres per minute
Aerator	Cascade
Warranty	3 years from date of purchase.
Run time	7-15 seconds
Anti rotation push button	

---

## 260 Push Button Self Closing Tap

---

### Installation Requirements

---

Countertop cutout	21mm minimum
Maximum countertop thickness	25mm
Water supply	ONVO taps require at least 0.5bar dynamic water pressure to operate effectively; if 1 bar or more can be achieved the operation of the tap will be better. Applications with gravity-fed plumbing systems may require a booster pump to achieve the optimum operating pressure. The taps can be pressure tested to 10bar for commissioning purposes. All pipework must be thoroughly cleaned before connecting the tap to clear the pipes of any debris.
Access requirements	Fixings and isolation valves must be accessible at for initial installation & commissioning and for ongoing and routine maintenance.

### Compliance

---

WRAS  
BREEAM - 1 credit  
LEED - 4 points  
CE

### Related Products

---

Soap dispenser [480](#)

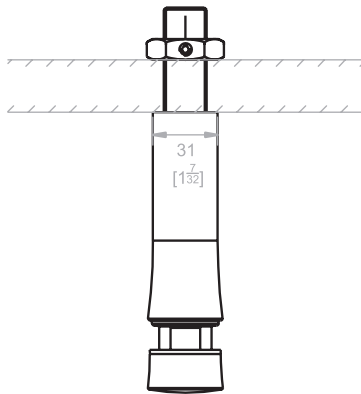
### Related Documents

---

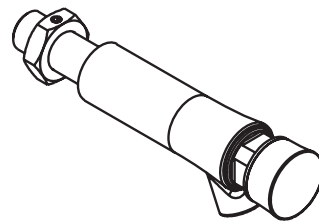
Installation and maintenance manual email: [sales@onvouk.com](mailto:sales@onvouk.com)  
Warranty document email: [sales@onvouk.com](mailto:sales@onvouk.com)

### Technical Drawing

ONVO 220 Push Tap - Plan View



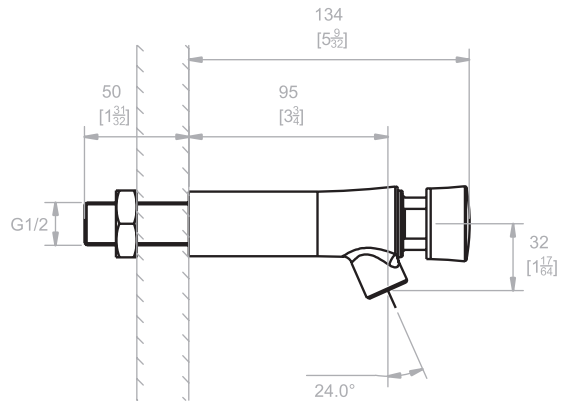
ONVO 220 Push Tap - Iso View



ONVO 220 Push Tap - Front View



ONVO 220 Push Tap - Side View



Cutout

