
60WF

Wash Fountain

The 60WF Washfountain has a seamless Corian Body and stainless steel plinth which is removable for access. It has three built in soap dispensers and fully integrated soap tank.

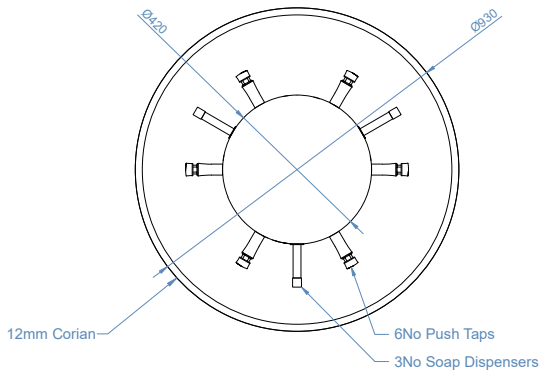


Codes

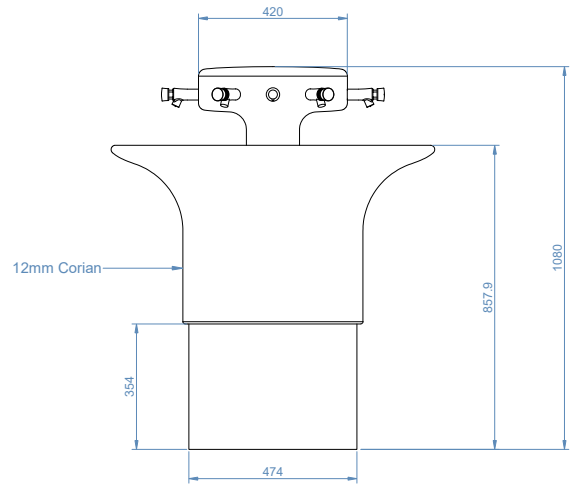
60WFP	6 user push operated corian washfountain
60WFS	6 user sensor operated corian washfountain

Technical Data

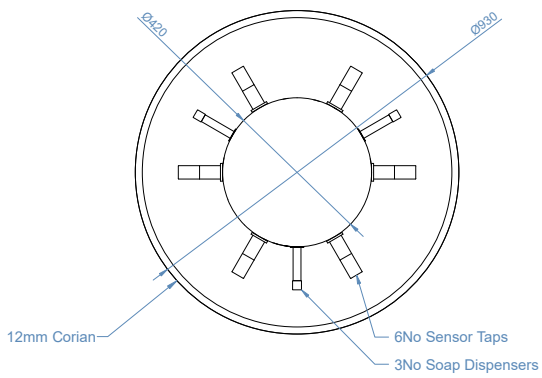
Finishe	Chrome
Diameter	930mm
Warranty	10 Years
Water pressure	25-80 psi (1.7-5.5 bar)
Flow rate	3L per minute, per station
Water feed	Should be a minimum of 15mm diameter
Disabled access	Suitable for disabled use and is compliant with ADA regulations



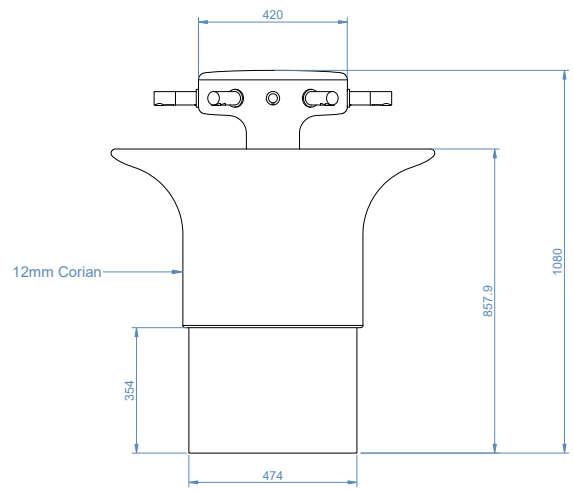
6 User Push Operated - Plan View



6 User Push Operated - Front Elevation



6 User Sensor Operated - Plan View



6 User Sensor Operated - Front Elevation